

# 2 Megapixel LPR 12x H.265 Mini (PoE) PTZ Bullet Network Camera



MS-C2961-(Q)(R)EL(P)B

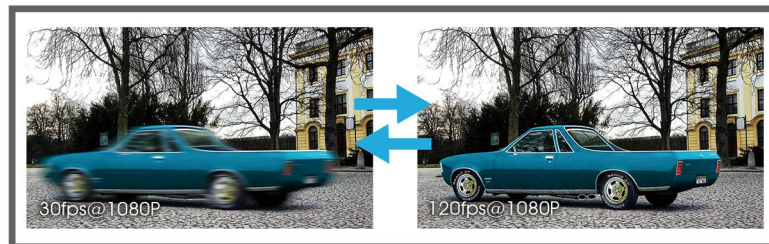
DATASHEET

## KEY FEATURES

- ▶ **Smart Stream** (Bandwidth, storage and bit rate are saved with Smart Stream On, eg, H.265+ saves 70%~80% bandwidth that of H.264.)
- ▶ **Smart IR II** (Combining the High Beam and Low Beam to adjust IR intensity to fit different lighting conditions.)
- ▶ **0.002Lux Starlight** (Deliver high detailed color images even in low light environment reaching 0.002Lux.)
- ▶ **Smart PTZ Motion Detection** (Pan and tilt to the position of motion detected area automatically and zoom in synchronously.)
- ▶ **255 Preset Positions** (The user can easily control the lens position via mouse to monitor interested area and set up to 255 preset positions for patrolling.)
- ▶ **Keyboard Control** (Shortcut keys for PTZ control via Milesight Keyboard.)
- ▶ **Breathable Screw-in Vent** (High weather-proof and air permeable performance to reduce fogging, condensation and eliminate moisture.)

## License Plate Recognition

Embedded in camera with no PC server required, the LPR allows network cameras to capture real-time license plate in both the highest levels of glare and the darkest hours of the night.

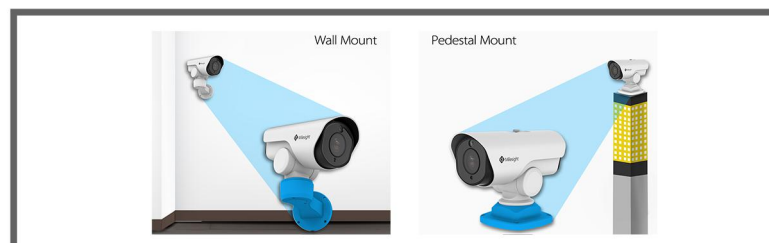


## 120fps

With the industry leading frame rate reaching 120fps, the cameras can easily catch images with no latency despite of the high-speed movement, which is the best choice for the demanding requirements especially for intelligent cameras.

## 3 in 1 Super WDR Pro - 140dB

Milesight upgraded 3 in 1 Super WDR Pro outputs three frames each line, which is able to bring more details especially moving subjects. What's more, it greatly improves image quality for reducing smear and noisy points. The ratio that the brightest light signal values divided by the darkest light signal values is up to 140dB.



## Flexible Installation Modes

With two installation modes of Wall Mount and Pedestal Mount, the PTZ camera, to a greater extent, meets different installation needs for different application scenarios.

# LPR 12x H.265 Mini (PoE) PTZ Bullet Network Camera



	Model	MS-C2961-(Q)(R)EL(P)B(2MP)
Camera	Image Sensor	1/2.8" Progressive Scan CMOS
	Min. Illumination	Color: 0.002Lux@F1.2 B/W: 0Lux with IR on
	WDR	140dB Super WDR ( <b>Super WDR Pro is optional for Q Series</b> )
	Shutter Time	1/100000s~1s
	IR Distance	Up to 100m
	Digital Zoom	16x
	Day&Night	ICR Filter Auto Switch
	Max. Vehicle Speed	120km/h
Lens	Focal Length	5.3~64mm, 12x Optical Zoom
	Zoom Speed	3.1s
	Field of View	H61°~H5°/D69°~D5°/V36°~V2°
	Minimum Working Distance	1000~1500mm (Wide-Tele)
	Aperture	F1.6~F2.8
PTZ	Pan Range	360°endless
	Pan Speed	Pan Manual Speed: 0.2°~60°/s, Pan Preset Speed 100°/s
	Tilt Range	-45°~30°
	Tilt Speed	Tilt Manual Speed: 0.2°~30°/s, Tilt Preset Speed 60°/s
	Proportional Zoom	Support
	Preset Quantity	255
	Preset Freezing	Support
	Patrol	8 Patrols, up to 48 presets each patrol
	Pattern	4 Patterns
	Power Off Memory	Support
	PTZ Position Display	ON/OFF
3D Positioning	Support	
Video	Max. Image Resolution	1920x1080
	Primary Stream	<b>120fps@(1920x1080)(Optional for Q Series)</b> , 60fps@(1920x1080, 1280x960, 1280x720, 704x576)
	Secondary Stream	<b>120fps@(704x576)(Optional for Q Series)</b> , 60fps@(704x576, 640x480, 640x360, 352x288, 320x240, 320x192, 320x176)
	Tertiary Stream	30fps@(1920x1080, 1280x720, 704x576, 640x480, 640x360, 320x240, 320x192, 320x176)
	Video Compression	H.265+/H.265(HEVC)/H.264+/H.264/MJPEG
	Video Bit Rate	16Kbps~16Mbps(CBR/VBR Adjustable)
	Image Setting	Brightness/Contrast/Saturation/Sharpness
Network	Ethernet	1*RJ45 10M/100M Ethernet Port
	Network Storage	NAS(Support NFS, SMB/CIFS)
	Protocol	IPv4/IPv6, TCP, UDP, RTP, RTSP, RTCP, HTTP, HTTPS, DNS, DDNS, DHCP, FTP, NTP, SMTP, SNMP, UPnP, SIP, PPPoE, VLAN, 802.1x, QoS, IGMP, ICMP, SSL
Audio	Audio Compression	G.711/AAC
	Audio I/O	1/1 (Non-PoE Version)
System	Alarm I/O	1/1
	Storage	Support microSD/SDHC/SDXC Card Local Storage, up to 256G
	Advanced Function	<b>Auto Tracking</b> , Privacy Masking, Backlight Compensation, HLC, 2D DNR, 3D DNR, ROI, Anti-fog, White Balance, EIS, IP Address Filtering
	SIP/VoIP Support	Yes, Voice & Video-over-IP
	Event Trigger	Black/White List, Motion Detection, Network Disconnection, External Input, etc.; Black/White List, Motion Detection, Network Disconnection, External Input, Audio Alarm, etc. (Non-PoE Version)
	Event Action	FTP Upload, SMTP Upload, SD Card Record, External Output, SIP Phone, White LED, PTZ Motion, HTTP Notification, etc.
	License Plate Recognition	Support
General	System Compatibility	ONVIF Profile S & G
	Working Temperature	-40°C~60°C
	Working Humidity	0~90%(Non-condensing)
	Power Supply	DC 12V/2A±10% / PoE (802.3at); DC 12V/2A±10% (Non-PoE Version)
	Power Consumption	10.5W MAX; 20W MAX (With IR on)
	Weather Proof	Up to IP66-rated for Weather-resistant Performance
	Weight	2Kg (Wall Mount) / 1.8Kg (Pedestal Mount)
	Dimensions	160mmX273.5mmX210mm (Wall Mount) / 218mmX120mmX172mm (Pedestal Mount)
Warranty	2 Years	

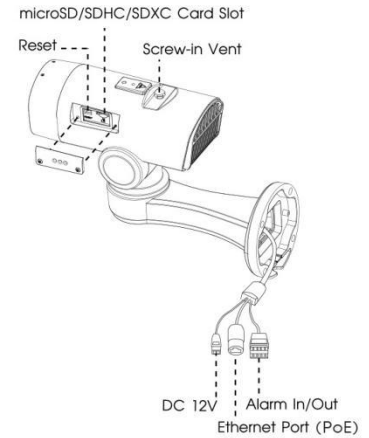
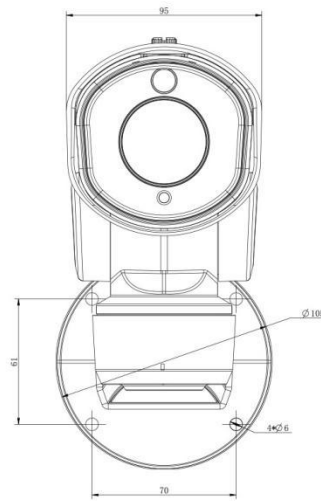
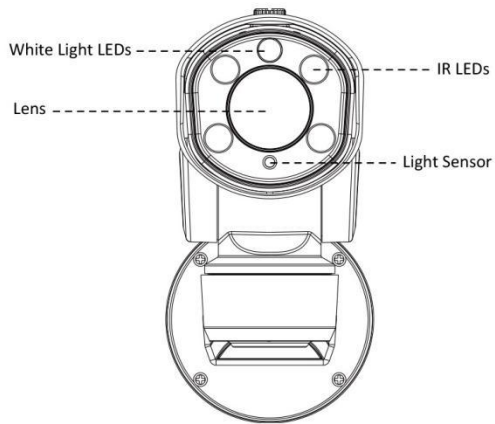
V7.14

# LPR 12x H.265 Mini (PoE) PTZ Bullet Network Camera

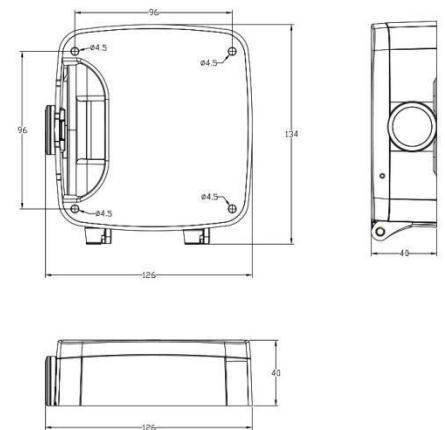
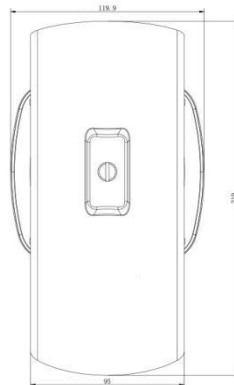
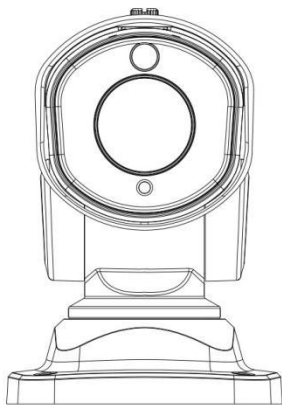


## Structure Diagrams

### Wall Mount:



### Pedestal Mount:



Units: mm

## Accessories Support

A01 Pole Mount

Weight: 720g  
Dimensions: 170\*51.5\*152.6mm

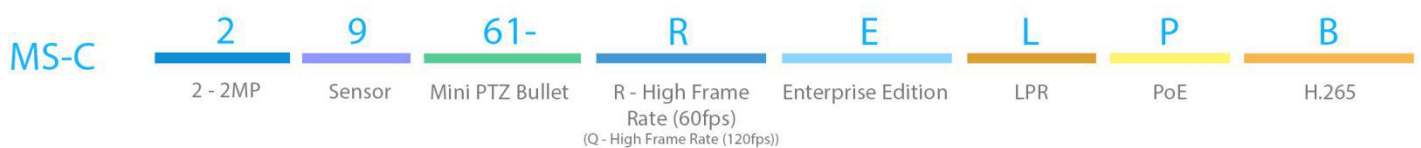


A62 Junction Box

Weight: 510g  
Dimensions: 134\*127\*40mm



## Naming Convention



Milesight Technology Co.,Ltd. | [www.milesight.com](http://www.milesight.com)

Contact Us: [sales@milesight.com](mailto:sales@milesight.com) [support@milesight.com](mailto:support@milesight.com)

Add: 220 NE 51st Street, Oakland Park, Florida 33334, USA  
Tel: +1-800-561-0485

Add: 925, Anyang SK V1 Center, LS -ro 116beon-gil, Dongan-gu, Anyang-si, Korea  
Tel: +82-31-990-7772

Add: No.23 Wanghai Road, 2nd Software Park, Xiamen, China  
Tel: +86-592-5922772

